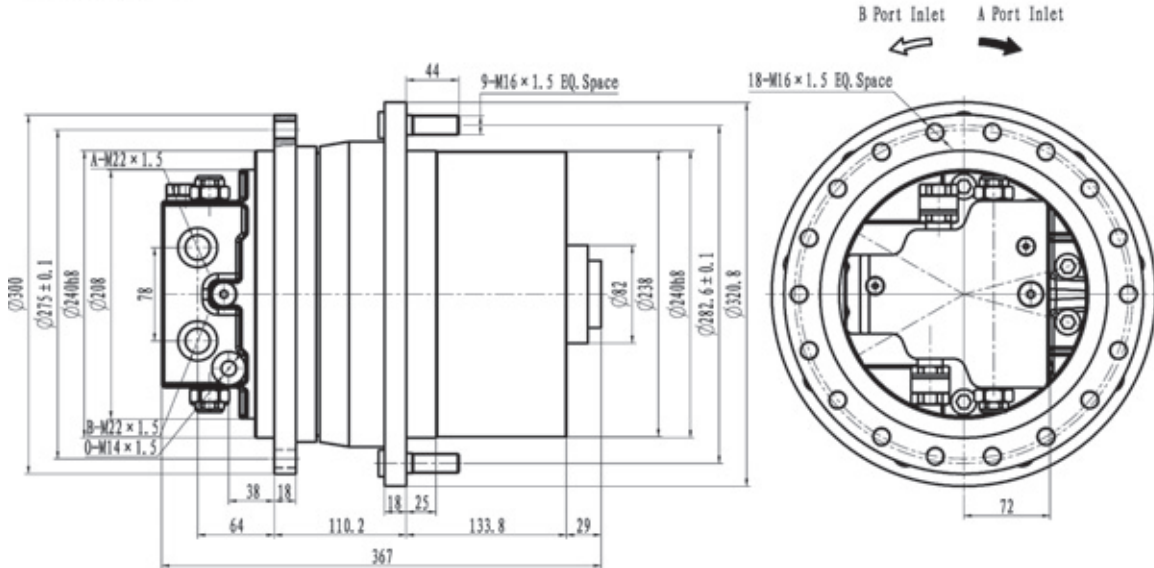


Dimensions



Specification

Output Torque (N · m)		Ratio	Brake			Hydraulic Motor			
Continuous	Max.		Static Torque (N · m)	Initial Release (MPa)	Full Release (MPa)	Large Displacement (ml/rev)	Small Displacement (ml/rev)	Max. Pressure (MPa)	Max. Speed (rpm)
5500	11000	46.435	230	1.2	1.8	53	12	28	3000
		42.123	260						

1. The product can be fitted with KC/LC series plug-in hydraulic motor from Sauer-Danfoss.
2. The product can be used in closed loop system.
3. The product is equipped with a mechanical disconnecting device for being towed without damaging if necessary.

