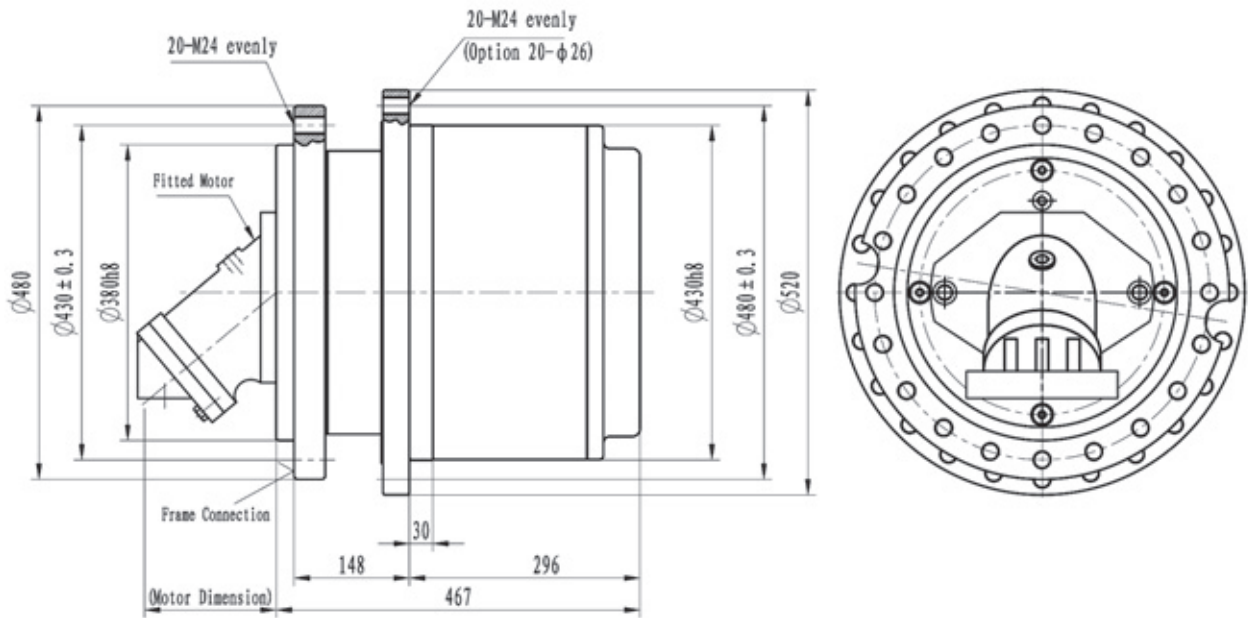


Dimensions



Technical Data

Output Torque $T_{max}$ Nm	Ratio $i$			Hydraulic Motor		Max. Input Speed r/min	Braking Torque $T_{Br max}$ Nm	Brake Press. MPa
80000	76.6	85.4	98	A2FE107	A6VE107 A6VE160	4000	600-1100	1.8-5
	115.6	142.7	170.1	A2FE125				
	187.2	211.5	A2FE160					
			A2FE180					

- Gearbox input direction is contra to the output direction.
- Allowed output speed (No indicated in catalog) is subject to variation with actual application.
- Differently sized units and additional design variants can be furnished if so requested.