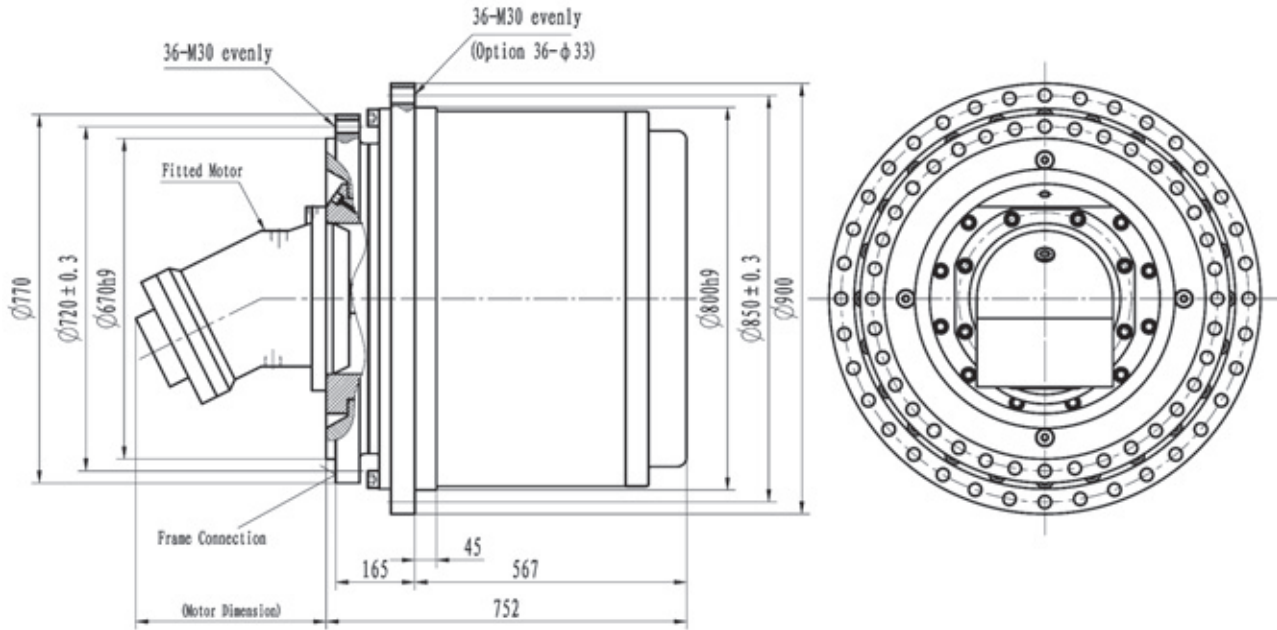


Dimensions



Technical Data

| Output Torque<br>T <sub>max</sub> Nm | Ratio<br>i |       |       | Hydraulic Motor               |                               | Max. Input Speed<br>r/min | Braking Torque<br>T <sub>Br max.</sub> Nm | Brake Press.<br>MPa |
|--------------------------------------|------------|-------|-------|-------------------------------|-------------------------------|---------------------------|---|---------------------|
| 550000                               | 129.2      | 146.8 | 175.3 | A2FM250<br>A2FM355<br>A2FM500 | A6VM250<br>A6VM355<br>A6VM500 | 2000                      | 1200-3600                                 | 1.8-5               |

- Gearbox input direction is contra to the output direction.
- Allowed output speed (No indicated in catalog) is subject to variation with actual application.
- Differently sized units and additional design variants can be furnished if so requested.