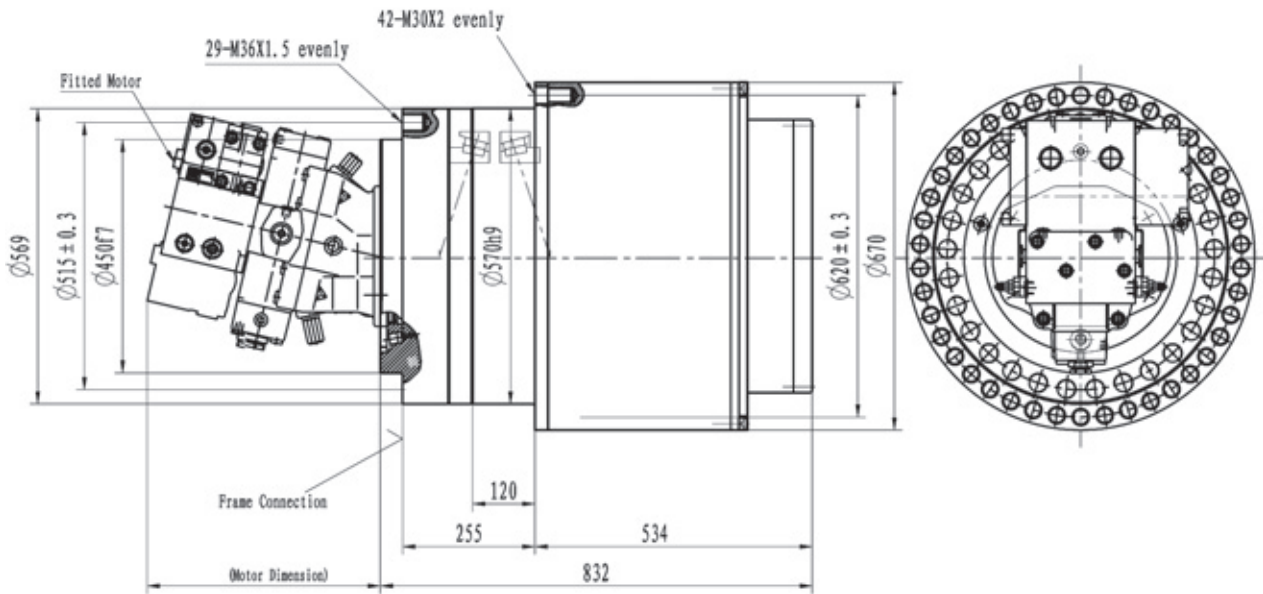


Dimensions



Technical Data

Output Torque T_{max} Nm	Ratio i			Hydraulic Motor		Max. Input Speed r/min	Braking Torque $T_{br max}$ Nm	Brake Press. MPa
440000	275.34	308.2	352.68	A2FM160 A2FM250	A6VM160 A6VM250	2000	1200-2500	1.8-5

- Gearbox input direction is contra to the output direction.
- Allowed output speed (No indicated in catalog) is subject to variation with actual application.
- Differently sized units and additional design variants can be furnished if so requested.