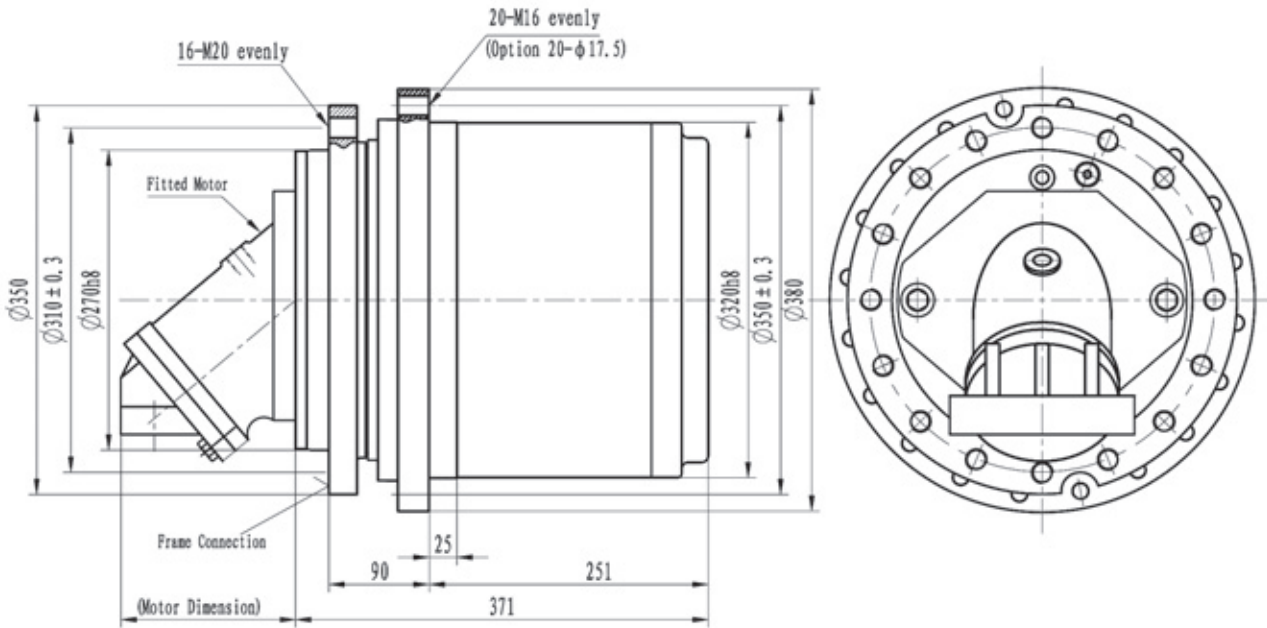


Dimensions



Technical Data

Output Torque T_{max} Nm	Ratio i			Hydraulic Motor		Max. Input Speed r/min	Braking Torque $T_{Br max}$ Nm	Brake Press. MPa
36000	67.75	78	92.1	A2FE56	A6VE55 A6VE80	4000	400-750	1.8-5
	106	116.8	133.7	A2FE63				
	143.8	158.6	181.4	A2FE80				
				A2FE90				

- Gearbox input direction is contra to the output direction.
- Allowed output speed (No indicated in catalog) is subject to variation with actual application.
- Differently sized units and additional design variants can be furnished if so requested.