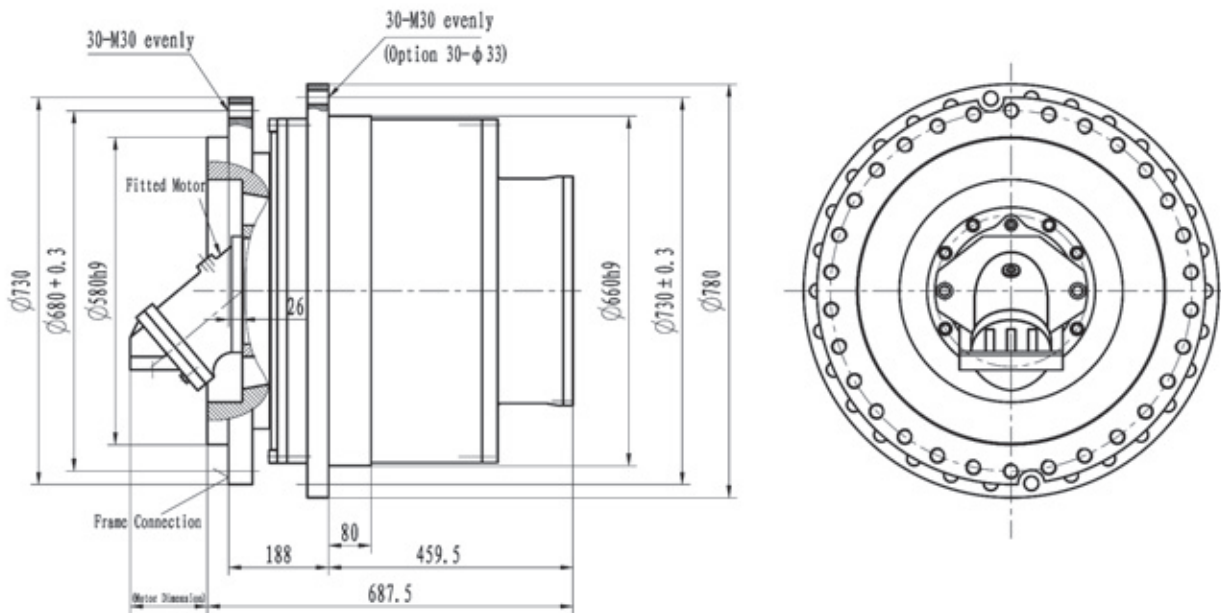


Dimensions



Technical Data

Output Torque $T_{max}$ Nm	Ratio $i$	Hydraulic Motor	Max. Input Speed r/min	Braking Torque $T_{br. max.}$ Nm	Brake Press. MPa
330000	169.2    251.8    302.5 451.6    555.33	A2FE107	4000	800-1200	1.8-5
		A6VE107			
		A2FE125			
		A6VE160			
		A2FE160			
A6VE250					
A2FE180					
A6V250					
A2FE250					

· Gearbox input direction is contra to the output direction.  
 · Allowed output speed (No indicated in catalog) is subject to variation with actual application.  
 · Differently sized units and additional design variants can be furnished if so requested.