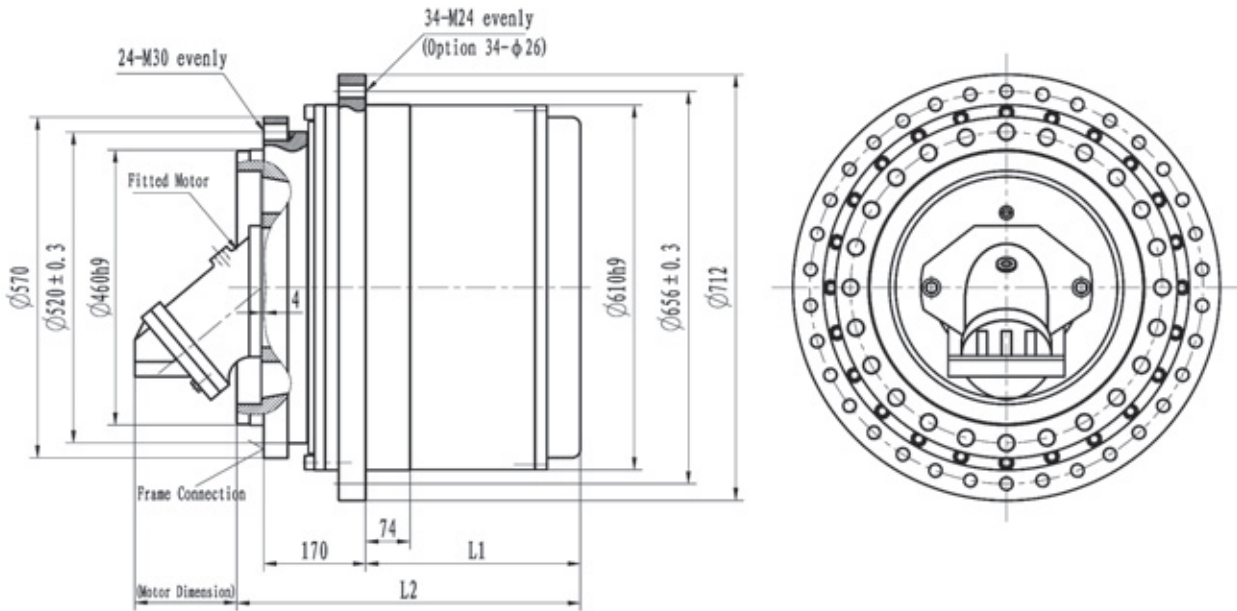


Dimensions



Technical Data

Output Torque T _{max} Nm	Ratio i	Hydraulic Motor	Max. Input Speed r/min	Braking Torque T _{Br max.} Nm	Brake Press. MPa
220000	188.9 ⁽³⁾ 245.9 ⁽³⁾ 293 ⁽³⁾	A2FE107	4000	800-1200	1.8-5
		A2FE125			
		A2FE160			
	313 ⁽³⁾ 695 ⁽⁴⁾	A2FE180			

- Gearbox input direction is contra to the output direction.
- Allowed output speed (No indicated in catalog) is subject to variation with actual application.
- Differently sized units and additional design variants can be furnished if so requested.

(3) Three stages gearbox, L1=358 L2=573

(4) Four stages gearbox, L1=448 L2=663