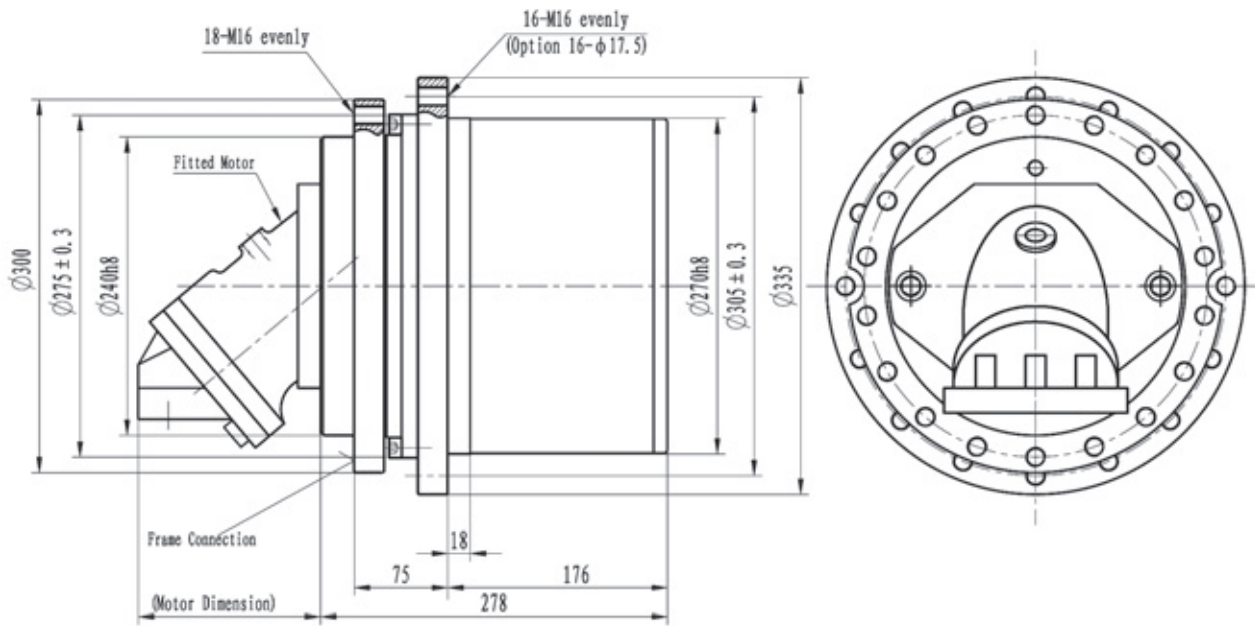


**Dimensions**



**Technical Data**

Output Torque $T_{max}$ Nm	Ratio $i$	Hydraulic Motor	Max. Input Speed r/min	Braking Torque $T_{br max}$ Nm	Brake Press. MPa
13000	21.57 25 30 38	A2FE45 A2FE56 A2FE63	A6VE28 A6VE55 A10VE45	4000	220-350

- Gearbox input direction is contra to the output direction.
- Allowed output speed (No indicated in catalog) is subject to variation with actual application.
- Differently sized units and additional design variants can be furnished if so requested.