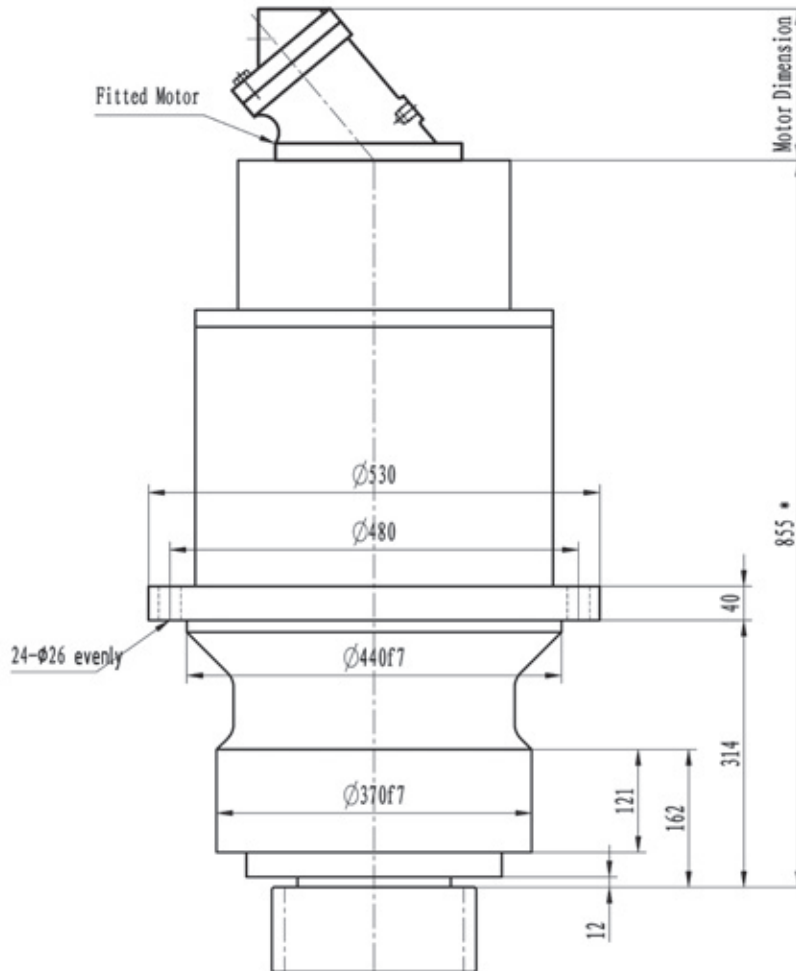


Dimension



Technical Data

Output Torque T_{max} Nm	Ratio i	Hydraulic motor	Braking torque $T_{br. max.}$ Nm
68300	62.3	A2FE80	400-750
	111.8	A2FE90	
	80.2	A2FE107	
	150.9	A2FE125	
	99.9		
	186.4		

• Gearbox input direction is same to the output direction.

• Allowed output speed(not indicated in catalag) is subject to variation with actual application.