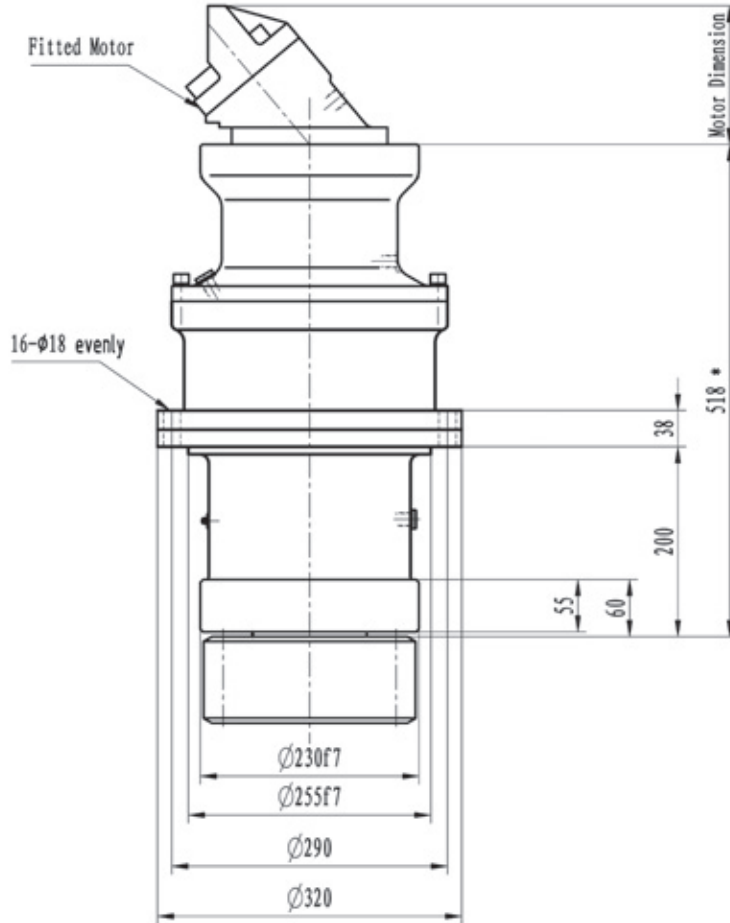


Dimension



Technical Data

Output Torque T _{max} Nm	Ratio i	Hydraulic motor	Braking torque T _{Br. max.} Nm
12700	27.4	A2FE28 A2FE32 A2FE45 A2FE56 A2FE63	400-710
	34.3		
	43.2		
	78.9		
	89.2		
	103.6		

· Gearbox input direction is same to the output direction.

· Allowed output speed(not indicated in catalag) is subject to variation with actual application.